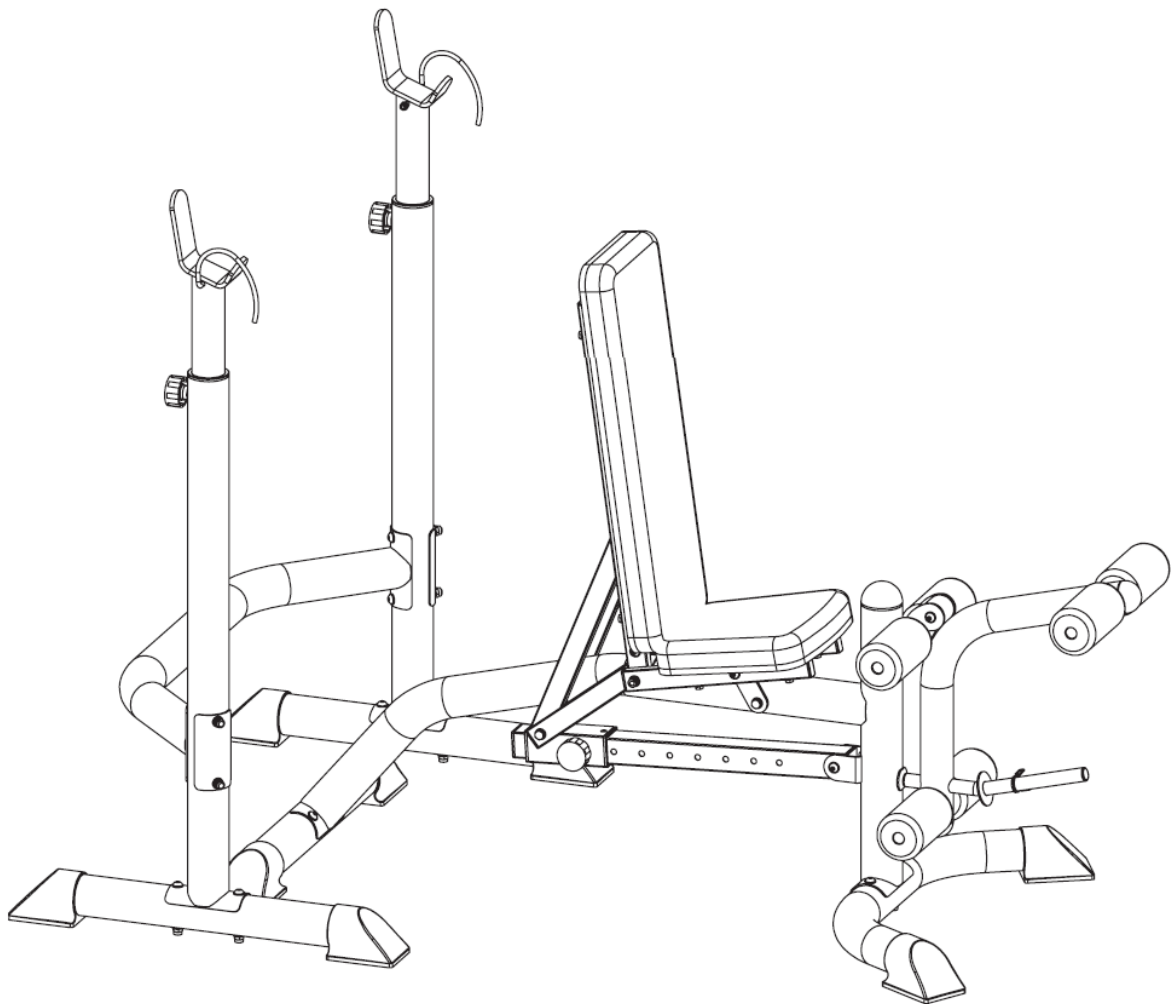


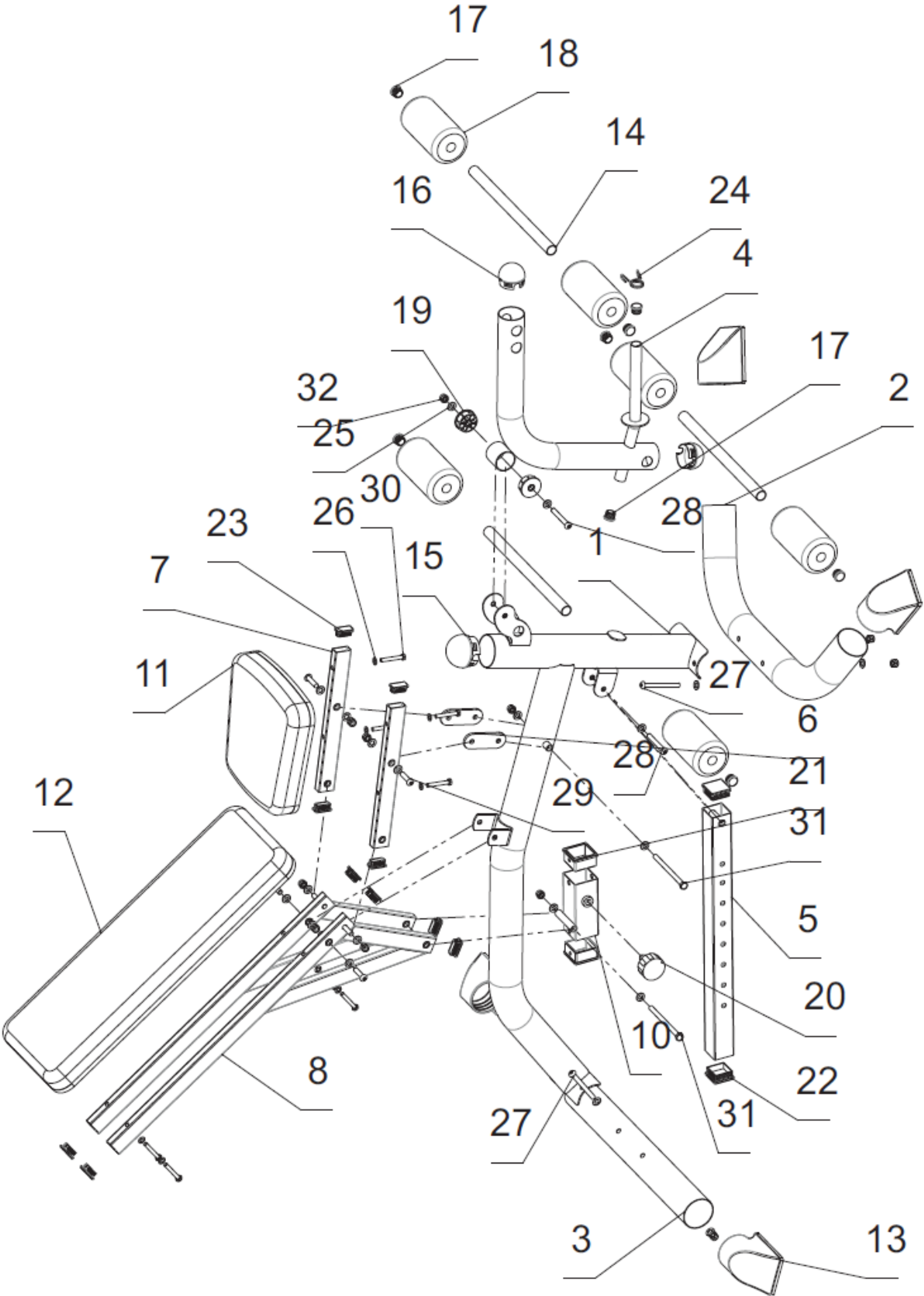


**USER MANUAL - EN**

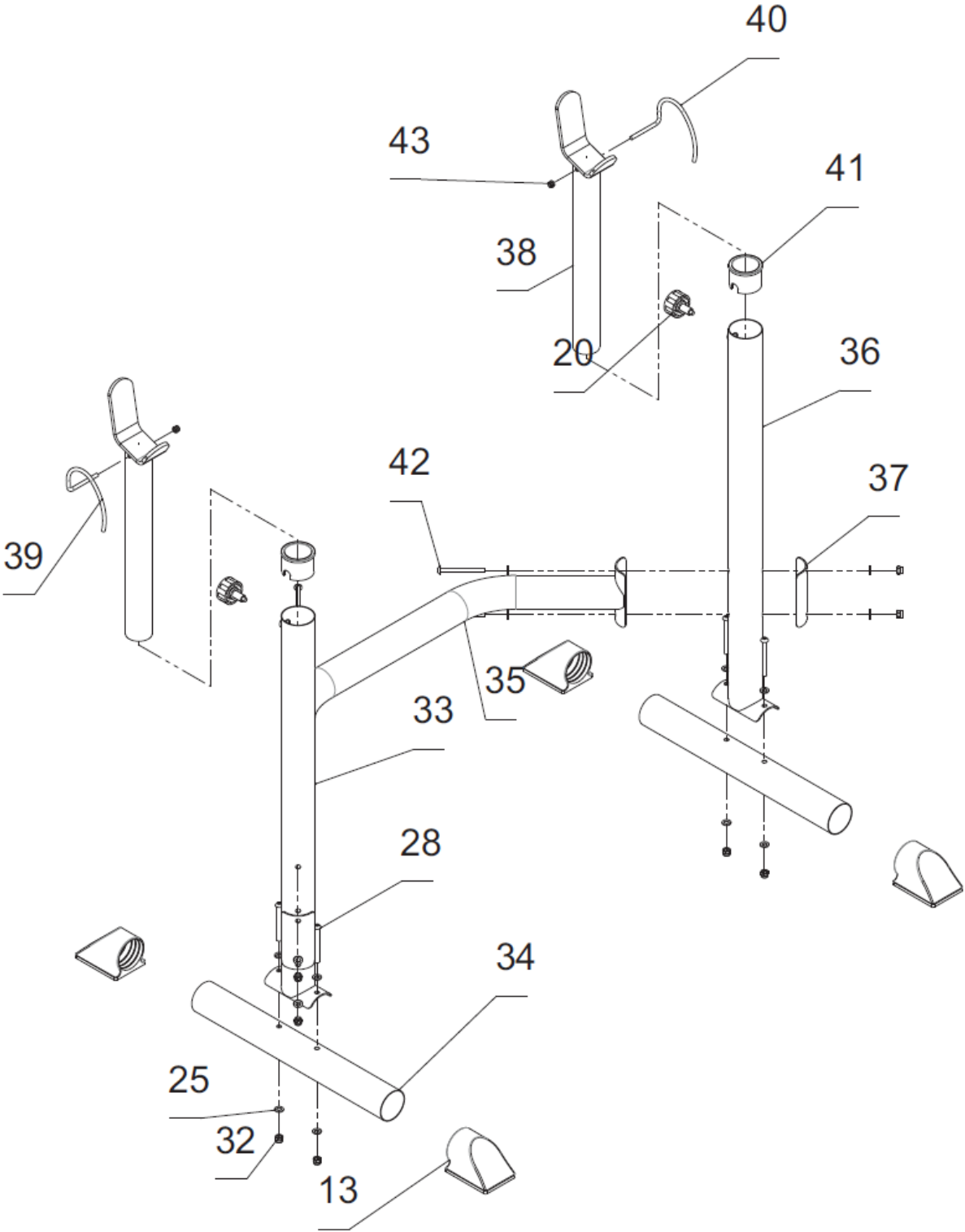
**IN 5497 Bench inSPORTline LKM904**



DRAWING 1



DRAWING 2



## PARTS LIST

PART NUMBER	DRAWING NUMBER	DESCRIPTION	QTY
1	9040001	Main beam	1
2	9040002	Forefoot pipe	1
3	9040003	Back foot pipe	1
4	9040004	Kicking	1
5	9040005	Slide bar	1
6	9040006	Connecting plate	2
7	9040007	Seat board pipe	2
8	9040008	Back tube (left)	1
9	9040009	Back tube (right)	1
10	9040010	Sliding sleeve	1
11	9040011	Seat cushion	1
12	9040012	Back cushion	1
13	9040013	Foot cover 76	8
14	9040014	Foam pipe	3
15	9040015	Pipe plug 76	1
16	9040016	Pipe plug 60	2
17	9040017	Pipe plug 25	8
18	9040018	Foam 90	6
19	9040019	Skirting the rotary sleeve	2
20	9040020	Pull the pin reset M16	3
21	9040021	Hollow sleeve 60-50	2
22	9040022	Pipe plug 50-50	2
23	9040023	Rectangular pipe plug 40-20	10
24	9040024	Clip spring 25	1
25	10	Plain washer 10	42
26	8	Plain washer 8	8
27	M10X75	Concave park head screw	4
28	M10X95	Concave park head screw	8
29	M10X40	Concave park head screw	4
30	M8X55	Hexagon-head bolt	8
31	M10X140	Hexagon-head bolt	2
32	M10	Lock nut	22
33	9040025	Left column	1
34	9040026	Foot tube	2
35	9040027	Connecting pipe	1
36	9040028	Right column	1
37	9040029	Splint	2
38	9040030	Trusteeship	2
39	9040031	Insurance deduction on left	1
40	9040032	Insurance deduction on right	1
41	9040033	Hollow sleeve 76-60	2
42	M10X100	Concave park head screw	4
43	M8	Lock nut	2