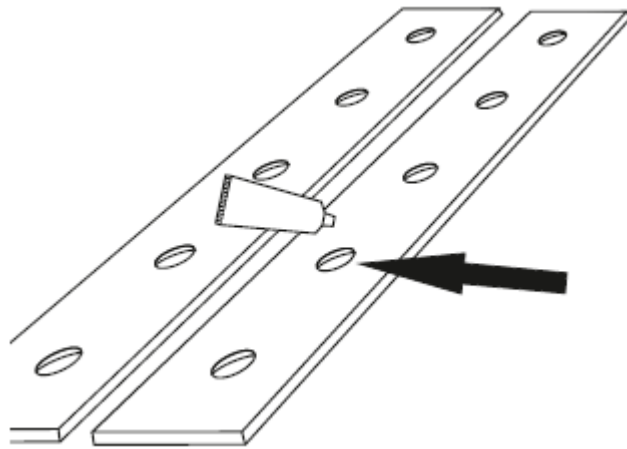


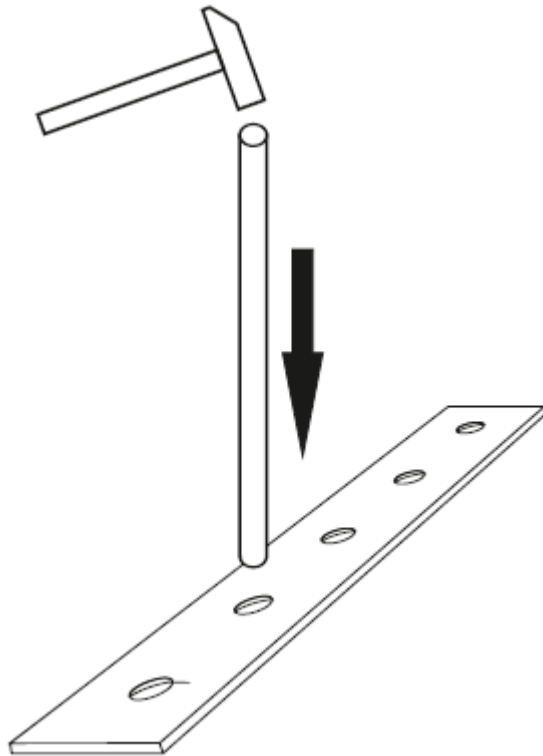


USER MANUAL – EN WALL-BARS ASSEMBLY

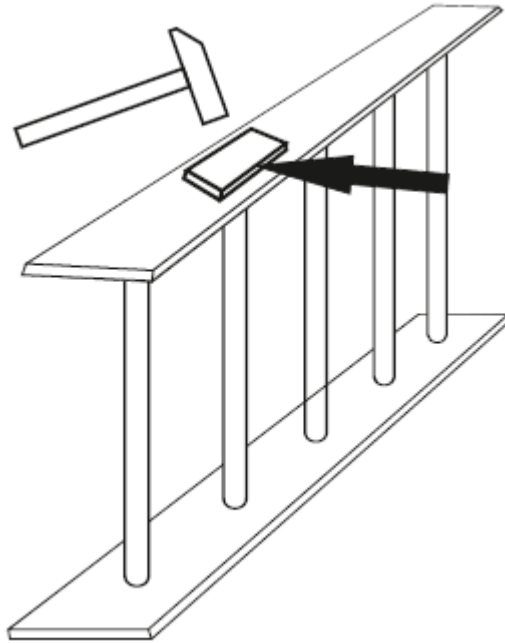
1. Apply glue to the holes for bars.



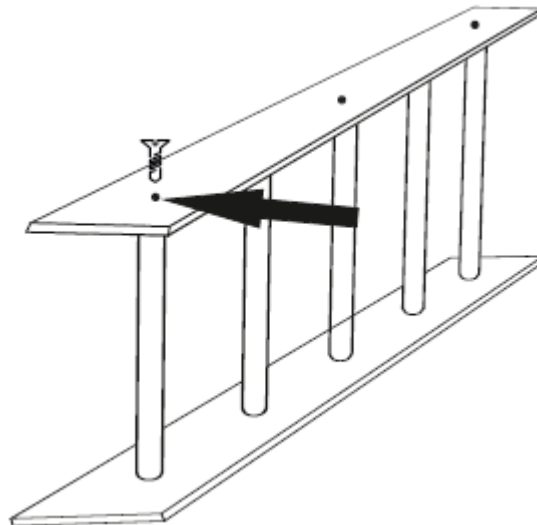
2. Carefully secure the bars with rubber hammer.



3. After you attach bars to one side, apply glue to the other side and carefully secure the second side. Use rubber hammer or plank to secure the other part.

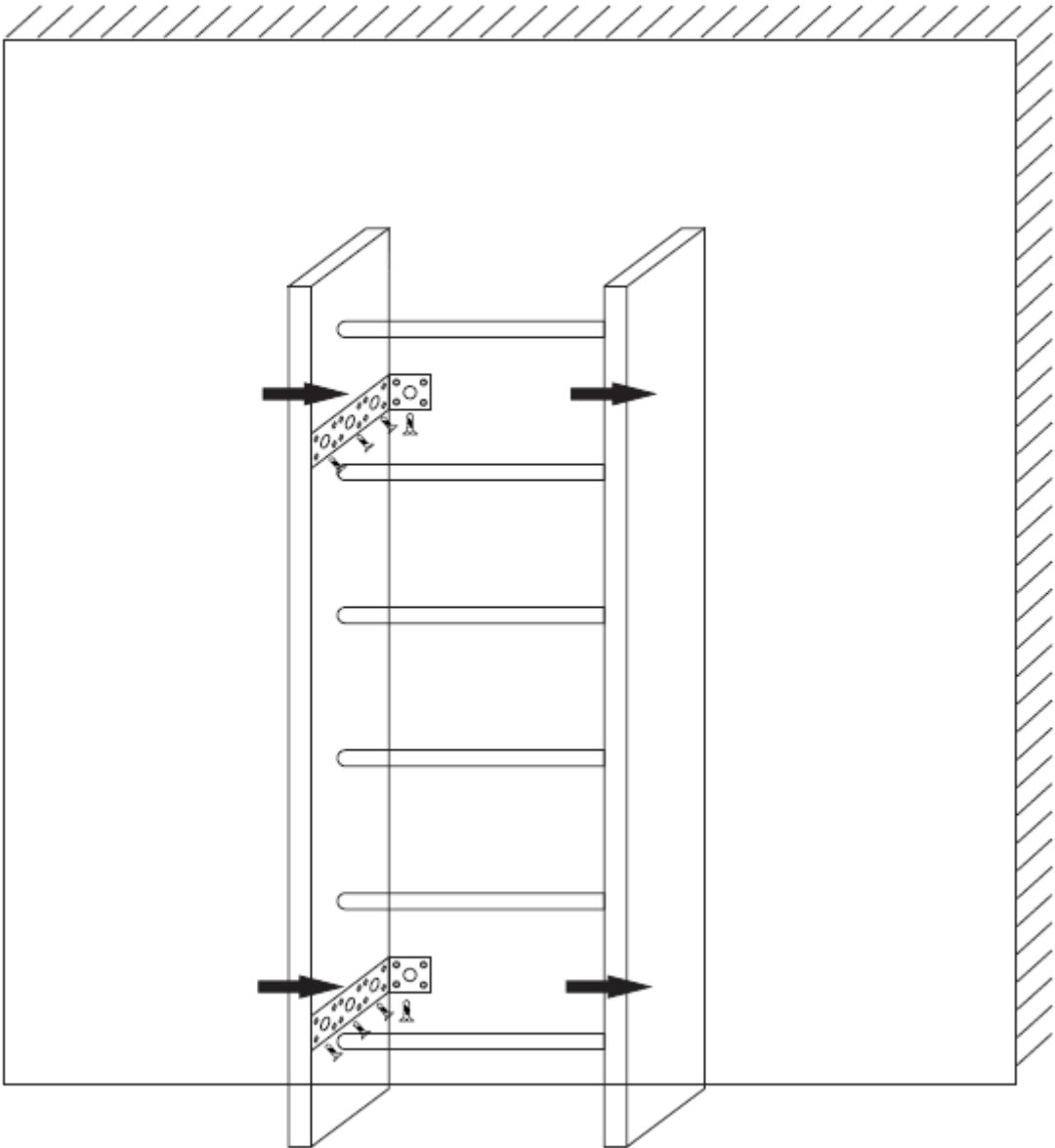


4. Secure the bars with screws on marked spots.



The assembly connecting material is used to attach the wall bars to the wall.

SECURING THE WALL BARS TO THE WALL



Secure the wall bars with the mounting bracket. Attach the longer side to the wall bars, the shorter one to the wall. Attach each bracket to the ladders in the marked places. Attach the wall bars to the wall with 4x dowels and 4x screws for each bracket.

If you are unsure of the load-bearing capacity of the wall or the fastening material, ask a specialist for help.

WARNING: Before use, make sure that the wall bars are firmly and stably attached.